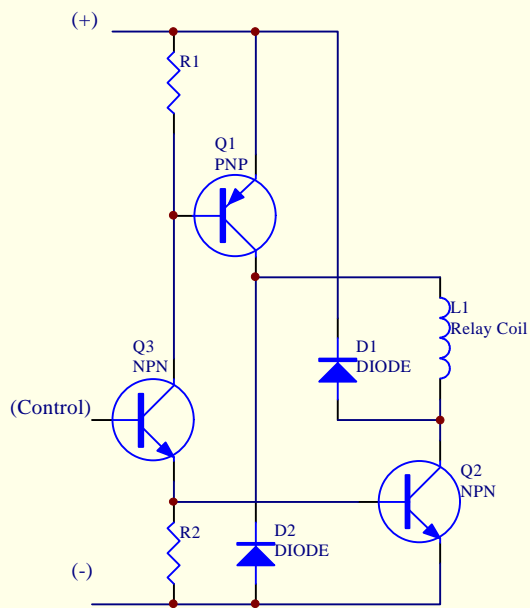


This is a summary of NASA's Jet Propulsion Laboratory document:

## **Recovering Energy From Relays**

**NPO-16268**

When Q3 is on, transistors Q1 and Q2 are on, and there is current in relay coil L1. When Q3 is turned off, Q1 and Q2 are also turned off. The energy stored in L1, which acts as an isolated voltage source, is commutated through diodes D1 and D2 and returned to the source.



## Recovering Energy From Relays

NPO-16268

Drawn by Bob Paddock

bpaddock@biogate.com

<http://www.biogate.com/bpaddock/>

Nov/07/98